

IR Strobe Lamp



The new advanced GANZ Lite is a high-performance infrared strobe lamp designed for LPR/ANPR, traffic monitoring, and surveillance applications. Equipped with 40 high-brightness 850nm IR LEDs, it provides effective illumination up to 40m with 1.5 lane coverage and selectable beam angles for flexible installation.

It supports continuous, strobe, and flash modes with 3.3–12V external trigger input, ensuring fast response and accurate synchronization. Built for harsh outdoor conditions, it features a rugged die-cast aluminum housing, IP66 protection, and operates reliably from -40°C to 70°C. With surge protection and a 50,000-hour LED lifespan, it is a dependable solution for critical security and traffic monitoring environments.

Model	LRI-X40D-1045-S
Beam Angle	10°
Beam range	Up to 40m

CBC Corporation (India) Pvt. Ltd.

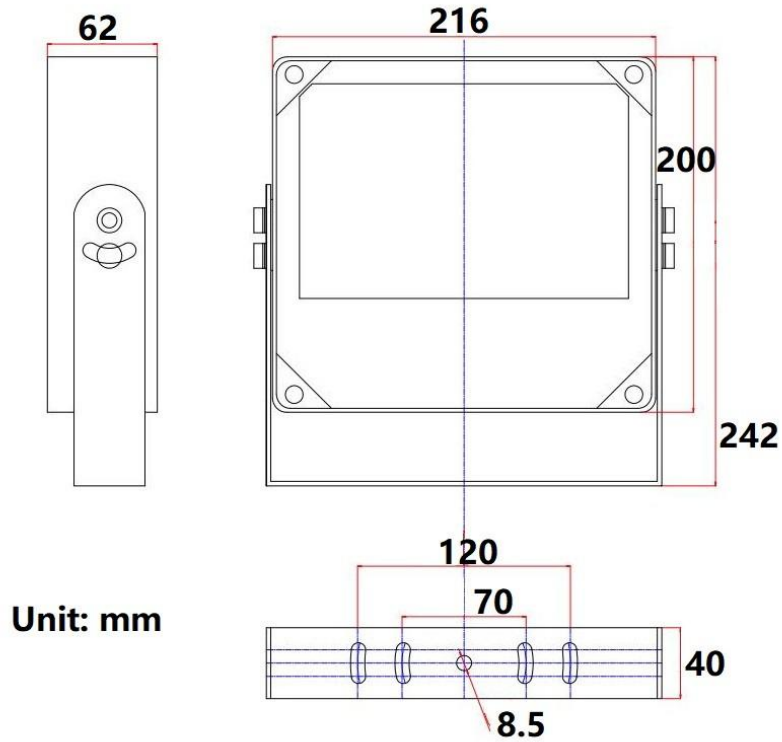
TECHNICAL SPECIFICATION

Item	Specification
LED Type	40pcs high brightness IR LED
Wavelength	850nm
Beam Angle	10°(standard), 15°, 30°, 45°
Cover Lane	1.5 Lane (standard)
Best Distance for NPR	up to 40meter
Day/night switch	Auto
Strobe Trigger Method	3.3-12v Electrical level/switching value
Pulse Width Frequency	50-100Hz
Trigger Duty Cycle	1% to 39%, when the duty cycle is ≥40%, the self-protection started
Protection Function	Transient over peak suppression
Response Time	≤20us
Strobe Synchronization Port	1 port strobe trigger input
Design Lifetime	≥50000 hrs
Housing Material	Die-casting aluminium alloy
Power Sources	AC110-220V
Power consumption of strobe	≤32W
Working temperature	-40°C~+70°C (working humidity 10%~90%)
Protection level	IP66
Surge Level	Common mode 6KV, Differential Mode 3KV
Net Weight	2.8kg
Packing Dimension	216*200*62(mm)

CBC Corporation (India) Pvt. Ltd.

7th Floor,A&B Wing, Marwah Centre, Krishanlal Marwah Marg, Andheri East, Mumbai 400 072, INDIA.
 Tel: +91 22 28579798/99, Mail: enquiry@cbcindia.com, Web: www.cbcindia.com

MECHANICAL DIMENSION



***The above-mentioned technical drawings are for reference only.

CBC Corporation (India) Pvt. Ltd.

7th Floor, A&B Wing, Marwah Centre, Krishanlal Marwah Marg, Andheri East, Mumbai 400 072, INDIA.

Tel: +91 22 28579798/99, Mail: enquiry@cbcindia.com, Web: www.cbcindia.com