

Array Based IR External Housing

FEATURES



- Accurate constant circuit drive.
- High Power Arrays are used for high efficiency and long life.
- Indoor/Outdoor application.
- Easy Installation.
- IR Night Vision .
- IP66 & IK10 certified.
- IP67 & NEMA 4X Compliant.
- Light in weight.
- Integrated PoE IEEE.
- Built in heater and Blower.
- CE, FCC, RoHS Certified.

The new advanced GANZ Lite Array based IR external Housing is designed & made up of high grade Aluminium to withstand all kind of rough weather elements like Rain, High speed wind etc. & to be lighter in weight at the same time. This Housing is fitted with inbuilt Array's to provide perfect Black & White image during pitch dark condition. The best in class Array's are chosen for long life. It provide uniform IR rays which can cover a distance of up to 160 metres.

MODEL NUMBERS

| MODEL | IR Angle | Distance |
|------------------|----------|----------|
| LHI-X33D50-90BH | 90° | 50mtr |
| LHI-X33D80-60BH | 60° | 80mtr |
| LHI-X33D90-45BH | 45° | 90mtr |
| LHI-X33D120-30BH | 30° | 120mtr |
| LHI-X33D160-15BH | 15° | 160mtr |

CBC Corporation India Pvt. Ltd

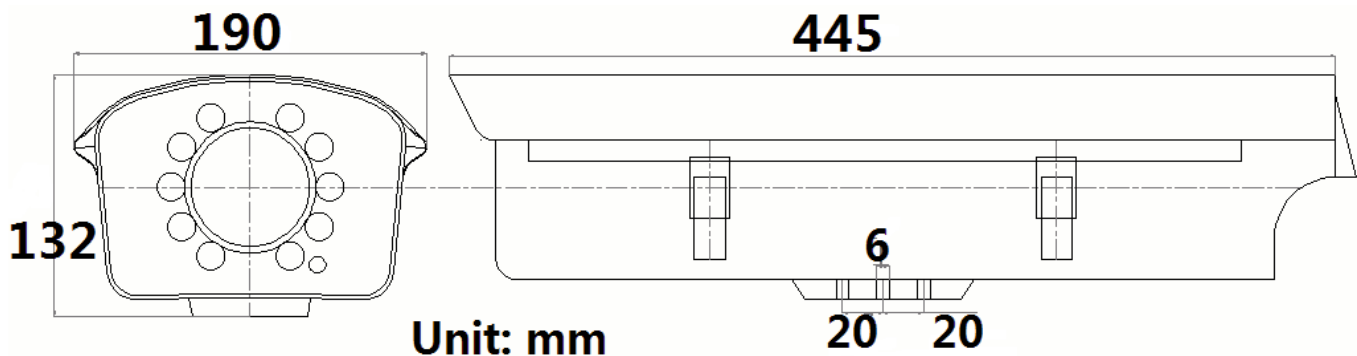
2nd Floor, B Wing, Marwah Centre, Krishanlal Marwah Marg, Andheri (E), Mumbai 400 072, INDIA. Tel: +91 22 28579798/99 Mail: enquiry@cbcindia.com, Web: cbcindia.com

Array Based IR External Housing

TECHNICAL SPECIFICATION

| MODEL | LHI-X33D |
|-----------------------------|------------------------------|
| Material | Aluminum Die Casting Housing |
| IR | Set of 10 Advanced Arrays |
| Wavelength | 850nm |
| Beam Angle | 15°-90° |
| IR Distance | 50°-160° |
| Day / Night Switching | 10-20± 10% |
| Input Voltage | 48VDC / PoE+ |
| Output Voltage (For Camera) | 12VDC |
| Output Current (For Camera) | 800mA ± 5% |
| LED Power Consumption | 10W± 5% |
| Panel | Tampered Glass Panel |
| Working temperature | -40°C to +60°C |
| Protection Level | IP 67, IK 10 & NEMA 4X |
| Color | Beige |
| Weight | 3.3Kg (Without Bracket) |
| Dimension | 445 X 190 X 132 mm |

MECHANICAL DIMENSION



The above mentioned technical drawings are for reference only.**

CBC Corporation India Pvt. Ltd

2nd Floor, B Wing, Marwah Centre, Krishanlal Marwah Marg, Andheri (E), Mumbai 400 072, INDIA. Tel: +91 22 28579798/99 Mail: enquiry@cbcindia.com, Web: cbcindia.com