

PixelPro Network Camera 5 Megapixel Bullet Series




PixelPro AI

Features:

- AI based object detector
- Fine tuned ISP(Image Signal Processor)
- H.265 Multiple profile streaming support
- Triple Streaming + SVC Stream + JPEG
- Various bitrate control: CBR/ VBR/ VBR+
- Plug & Play with Pixelmater NVR
- ONVIF profile S, G & Q support
- Aluminum Die-casting with IP67

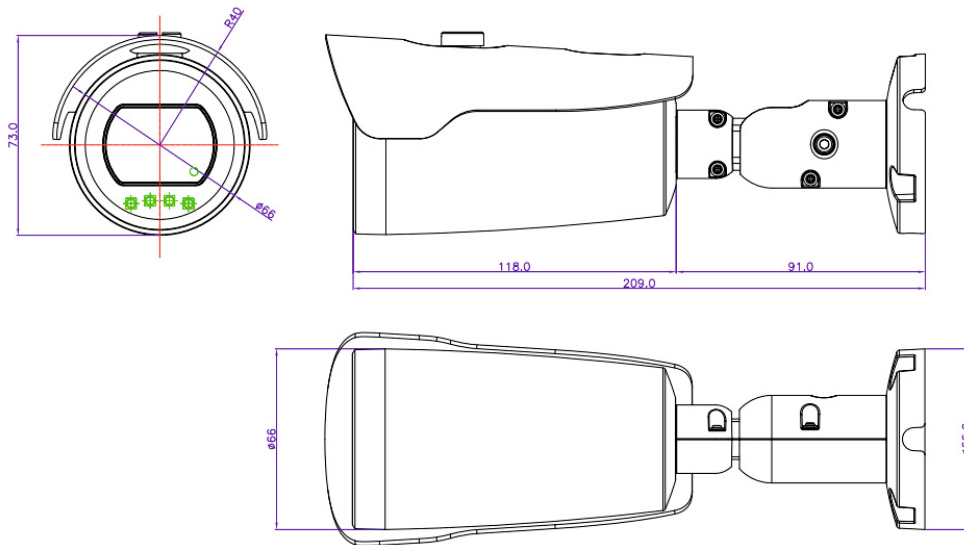
SPECIFICATION

Model	ZNC-MB5F28D
	
Image sensor	1/2.8" CMOS Progressive scan
Effective pixel	2592 X 1944
Min. Illumination	Color: 0.004 Lux @ (F2.0, AGC ON) BW: 0Lux(IR LED)
Electronic Shutter	Auto/Manual, 1/4 ~ 1/10000s
IR distance	30m
Day & Night	Auto (ICR) / Color / B/W / Schedule
Pan / Tilt / Rotation	360° / 90° / 360°
Focal Length / Focus	2.8mm / Fixed
Aperture	F2.0
Iris	Fixed iris
Angle of View FOV (H/V/D)	109/59/128
Video Compression	H.264 / H.265 / MJPEG
Video Frame rate	2592 x 1944 @ 30fps
Video Bit rate control	CBR/VBR/VBR+
Stream	Main Stream: 2592x1944,2592x1520, 2304x1296, 2048x1536,1920x1080, 1280x1024,1024x768, 1280x720, 704x576,704x480, 640x480,640x360,352x288,352x240 Second/Third Stream : 640x480,640x360,352x288,352x240
Video Bit rate	Main Stream : 512 ~ 15000 kbps Second / Third Stream : 512 ~ 8000 kbps
BLC	Yes
3DNR	Yes
WDR	Yes, TWDR
White balance	ATW / Manual
Audio compression	-
Network	10/100Mbps
Protocol	IPv4, IPv6, IGMP, ICMP, ARP, TCP, UDP, DHCP, RTP, RTSP, RTCP, DNS, DDNS, NTP, SMTP, FTP, UPnP, HTTP, HTTPS, SSL/TLS
Compatibility	ONVIF (Profile S, G & Q), CGI
Alarm In/Out	-
Audio In/Out	-
Storage	-
Power supply	PoE/DC12V
Operating conditions	-20°C ~ 50°C / 0%~90%
Ingress Protection	IP67
Vandal Resistance	-
Dimensions	ø66mm x 209mm
Net weight	0.55Kg
Gross weight	0.70kg

Licence Overview

License	Prerequisite	Description
ZNS-AI-A00	Included	Algorithm optimized for the differentiation of persons and objects
ZNS-AI-A05	-	Vehicle recognition and differentiation of cars, buses, trucks, bicycles, motorcycles
ZNS-AI-A06	-	Identification of animals, refined by deep learning
ZNS-AI-D00	-	Recognising people who have fallen
ZNS-AI-D02	-	Remote object detection
ZNS-AI-D03	-	Detection for appearing object

DIMENSIONS (unit:mm)



CBC (Europe) GmbH
Hansaallee 191
D-40549 Düsseldorf
T: +49-(0)211 53 06 70
F: +49-(0)211 53 06 71 80
info@cbc-europe.com
www.cbc-europe.com

CBC (Poland) Sp.z.o.o
Oddział w Warszawie
ul. Anny German 12
PL-01-794 Warsaw
T: +48-(0)22 6 33 90 90
F: +48-(0)22 6 33 90 60
info@cbcpoland.pl
www.cbcpoland.pl

CBC Russia Moscow Rep. office
Office 503B World Trade Center
12 Krasnopresnenskaya nab.
RU-123610 Moscow
T: +7-495 258 2161
F: +7-495 258 2160
info@cbc.ru
www.cbc.ru

CBC EUROPE S.r.l.
Via Umberto I, 69
I-20814 - VAREDO (MB)
T: +39-0362 36 50 79
F: +39-0362 4 00 12
info@cbceurope.it
www.cbceurope.it

CBC (EUROPE) GmbH UK Branch
Churchill House, Suite 81
137-139 Brent Street
London NW4 4DJ UK
T: +44-(0)20 8457 2618
info@cbcuk.com
www.cbc-europe.com

CBC Corporation (India) Private Limited
Marwah Centre, B Wing, 2nd Floor,
Krishanlal Marwah Marg, Andheri (E),
Mumbai - 400 072, India
T: +91 - 22 - 28579798 / 99
enquiry@cbcindia.com
www.cbcindia.com