

# PixelPro Network Camera 2 Megapixel Dome Series




## **PixelPro AI**

### Features:

- AI based object detector
- Fine tuned ISP(Image Signal Processor)
- H.265 Multiple profile streaming support
- Triple Streaming + SVC Stream + JPEG
- Various bitrate control: CBR/ VBR/ VBR+
- Plug & Play with Pixelmaster NVR
- ONVIF profile S, G & Q support
- Aluminum Die-casting with IP66 & IK10

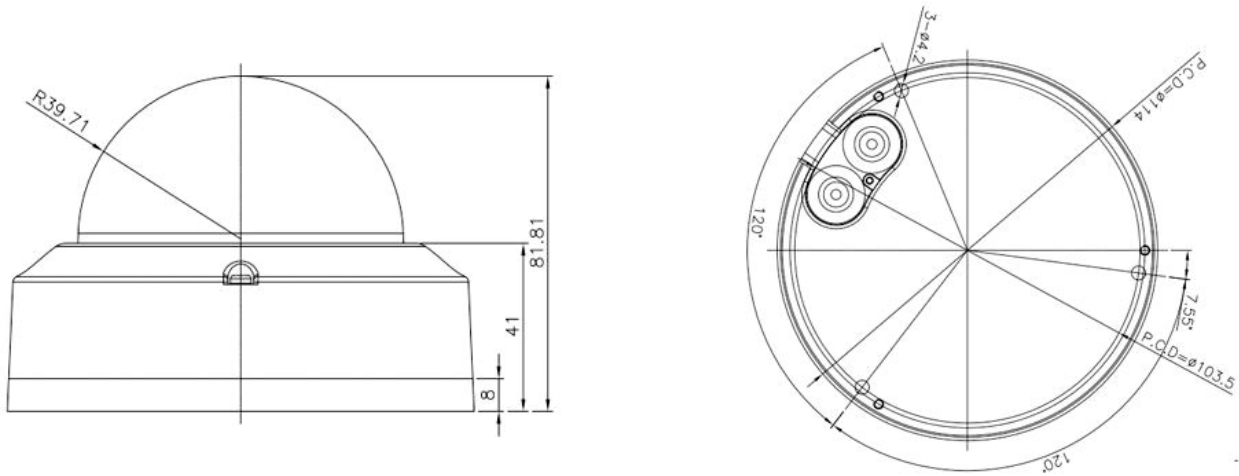
## SPECIFICATION

Model	ZNC-DT2F4DL-V
	
Image sensor	1/2.9" CMOS Progressive scan
Effective pixel	1920 X 1080
Min. Illumination	Color: 0.004 Lux @ (F2.0, AGC ON) BW: 0Lux(IR LED)
Electronic Shutter	Auto/Manual, 1/4 ~ 1/10000s
IR distance	20m
Day & Night	Auto (ICR) / Color / B/W / Schedule
Pan / Tilt / Rotation	353° / 70° / 176°
Focal Length / Focus	2.8mm / Fixed
Aperture	F2.0
Iris	Fixed iris
Angle of View FOV (H/V/D)	109/59/128
Video Compression	H.264 / H.265 / MJPEG
Video Frame rate	1920 X 1080 @ 30fps
Video Bit rate control	CBR/VBR/VBR+
Stream	Main Stream: 1920x1080, 1280x1024, 1024x768, 1280x720, 704x576, 704x480, 640x480, 640x360, 352x288, 352x240 Second/Third Stream : 640x480, 640x360, 352x288, 352x240
Video Bit rate	Main Stream : 512 ~ 15000 kbps Second Stream : 512 ~ 8000 kbps
BLC	Yes
3DNR	Yes
WDR	Yes, DWDR
White balance	ATW / Manual
Audio compression	-
Network	10/100Mbps
Protocol	IPv4, IPv6, IGMP, ICMP, ARP, TCP, UDP, DHCP, RTP, RTSP, RTCP, DNS, DDNS, NTP, SMTP, FTP, UPnP, HTTP, HTTPS, SSL/TLS
Compatibility	ONVIF (Profile S, G & Q), CGI
Alarm In/Out	1/1
Audio In/Out	1/1
Storage	Micro SD (up to 2TB)
Power supply	PoE/DC12V
Operating conditions	-20°C ~ 50°C / 0%~90%
Ingress Protection	IP66
Vandal Resistance	IK10
Dimensions	ø114mm x 81.8mm
Net weight	0.450Kg
Gross weight	0.600kg

Licence Info

License	Prerequisite	Description
ZNS-AI-A00	Included	Algorithm optimized for the differentiation of persons and objects
ZNS-AI-A05	-	Vehicle recognition and differentiation of cars, buses, trucks, bicycles, motorcycles
ZNS-AI-A06	-	Identification of animals, refined by deep learning
ZNS-AI-D00	-	Recognising people who have fallen
ZNS-AI-D01	-	Behavioural recognition "violence"
ZNS-AI-D02	-	Remote object detection
ZNS-AI-D03	-	Detection for appearing object

**DIMENSIONS** (unit:mm)



CBC (Europe) GmbH  
Hansaallee 191  
D-40549 Düsseldorf  
T: +49-(0)211 53 06 70  
F: +49-(0)211 53 06 71 80  
info@cbc-europe.com  
www.cbc-europe.com

CBC (Poland) Sp.z.o.o  
Oddział w Warszawie  
ul. Anny German 12  
PL-01-794 Warsaw  
T: +48-(0)22 6 33 90 90  
F: +48-(0)22 6 33 90 60  
info@cbcpoland.pl  
www.cbcpoland.pl

CBC Russia Moscow Rep. office  
Office 503B World Trade Center  
12 Krasnopresnenskaya nab.  
RU-123610 Moscow  
T: +7-495 258 2161  
F: +7-495 258 2160  
info@cbc.ru  
www.cbc.ru

CBC EUROPE S.r.l.  
Via Umberto I, 69  
I-20814 - VAREDO (MB)  
T: +39-0362 36 50 79  
F: +39-0362 4 00 12  
info@cbceurope.it  
www.cbceurope.it

CBC (EUROPE) GmbH UK Branch  
Churchill House, Suite 81  
137-139 Brent Street  
London NW4 4DJ UK  
T: +44-(0)20 8457 2618  
info@cbcuk.com  
www.cbc-europe.com

CBC Corporation (India) Private Limited  
Marwah Centre, B Wing, 2nd Floor,  
Krishanlal Marwah Marg, Andheri (E),  
Mumbai - 400 072, India  
T: +91 - 22 - 28579798 / 99  
enquiry@cbcindia.com  
www.cbcindia.com