



## FEATURES

- 1/2.8" Progressive Scan CMOS
- Motorised lens 2.7-13.5mm
- 4 Megapixel
- Quad streams
- Smart IR Up to 40 mtr
- Low bitrate, Excellent low light performance
- True WDR, 3D DNR
- ROI, Defog, BLC, HLC, Corridor mode, DIS
- IP67, IK10

## TECHNICAL SPECIFICATIONS

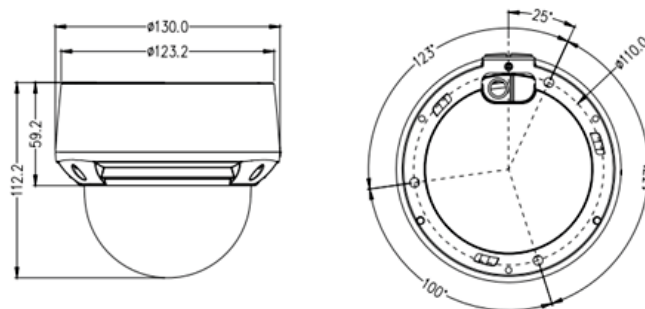
<b>VIDEO Parameters</b>	<b>ZN8-VD4M212-NIR</b>
Image Sensor	1/2.8" Progressive Scan CMOS
Max. Resolution	4MP (2592x1520)
Scanning System	Progressive
Min.Illumination	Color: 0.03Lux@(F1.2,AGC ON) B/W: 0Lux@(IR LED ON)
S/N Ratio	More than 55dB (AGC OFF)
IR LED	4 Pcs
Video Compression Format	H.265/H.264, MJPEG
Stream	Stream 1: 2592×1520/2560×1440/2304×1296/ 1920×1080/1280×720 @25/30fps Stream 2: D1/VGA/640×360/CIF/QVGA @25/30fps Stream 3 / 4: VGA/CIF/QVGA @25/30fps
Rate Control Method	CBR or VBR
Rate Control Method	Stream 1: 200Kbps~12Mbps Stream 2: 100Kbps~6Mbps Stream 3 / 4: 100Kbps~3Mbps
<b>AUDIO Parameters</b>	
Audio / Microphone	8kbps, 16kps, 64kbps
Audio Compression Format	G.711, RAW_PCM
<b>LENS Parameter</b>	
Lens Type	2.7~13.5mm Motorised Lens

# 4MP Vari focal IP Camera

<b>OTHER Functions</b>	ZN8-VD4M212-NIR
Day & Night	ICR
Wide Dynamic Range	True WDR (More than 120dB)
Digital Noise Reduction	2D/3D DNR
FOV	H: 87.5°~26°, V: 64.8°~19.9°
Edge storage	Micro SD, MAX. 256GB
Defog	Support
ROI	8 Zone rectangle
9:16 Corridor mode	Support
White Balance	Auto White Balance (AWB)
Electronic Shutter Speed	1/5-1/20000
BNC	Support
Alarm I/O	1ch Input, 1ch Output
IVS	Supports face, human, vehicle detection and capture Intrusion, Single line crossing, Double line crossing, Loitering, Wrong way, People counting Support alarm triggering by specified target types (human and vehicle)
Approvals	CE / EN / FCC / BIS/ RoHS
<b>NETWORK Parameters</b>	
Ethernet	1 Ethernet (10/100 Base-T) RJ-45 Connector
Protocol	IPv4/IPv6, 802.1x, HTTP, HTTPS, TCP/IP, UDP/IP, RTSP, DHCP, NTP, RTCP/RTP, PPPoE, SMTP, DNS, UPnP, FTP, ARP, SNMP, TLS/SSL
RTSP Video	Standard RFC2326, Support QuickTime / VLC Player
ONVIF	Support
Central Management Software	Support
<b>ENVIRONMENTAL Parameters</b>	
Operating Temperature/Humidity	-40°C to +60°C / Less than 90% RH
Ingress Protection	IP67, IK10
<b>ELECTRICAL Parameters</b>	
Power	DC12V/AC24V/POE (IEEE 802.3af)
Power Consumption	3W (IR LED OFF), 5W (IR LED ON)
<b>MECHANICAL Parameters</b>	
Color / Material	Body: White/ Aluminum
Dimensions	Ø130 x 112 mm
Weight	900g

## Dimensions

Unit: mm



**CBC (Europe) GmbH**  
Hansaallee 191  
D-40 49 D sseldorf  
T: +49-(0)211 3 06 70  
F: +49-(0)211 3 06 71 80  
info@cbc-europe.com  
www.cbc-europe.com

**CBC (Poland) Sp.z.o.o**  
Oddział w Warszawie  
Ul. Krasynskiego 41A  
PL-01-7 Warsaw  
T: +48-(0)22 6 33 90 90  
F: +48-(0)22 6 33 90 60  
info@cbcpoland.pl  
www.cbcpoland.pl

**CBC Russia Mosco Rep. of ce**  
Of ce 03B World Trade Center  
12 Krasnopresnenskaya nab.  
U-11123610 Moscow  
T: +7-49 2 8 2161  
F: +7-49 2 8 2160  
info@cbc.ru  
www.cbc.ru

**CBC (Europe) Ltd. f cio di Milano**  
Via E. Ma orana, 2  
I-20834 Nova Milanese (MB)  
T: +39-0362 36 0 79  
F: +39-0362 4 00 12  
info@cbceurope.it  
www.cbceurope.it

**CBC CORPORATION (INDIA), PRIVATE LTD**  
2F B Wing, Marwah Centre  
Krishanal Marwah Marg  
Andheri East, Mumbai 400 072, India  
T: +91 22 28 7 9798  
F: +91 22 6649 1708  
enquiry@cbcindia.com

**CBC (Europe) GmbH**  
7/8 Garrick Industrial Centre  
Irving Way  
UK-NW9 6AQ London  
T: +44-(0)20 87 32 33 10  
F: +44-(0)20 82 02 33 87  
info@cbcuk.com  
www.cbceurope.com