

Ganz 3MP IR High Speed Dome Camera



FEATURES

- 1/2.8" Progressive Sensor CMOS
- 30X Optical Zoom, 16X Digital Zoom
- 3MP (2048X1536)
- Multiple Stream
- Auto Tracking
- Low Bit rate, Good low light performance
- 3D DNR / WDR / ICR / IVS

TECHNICAL SPECIFICATIONS

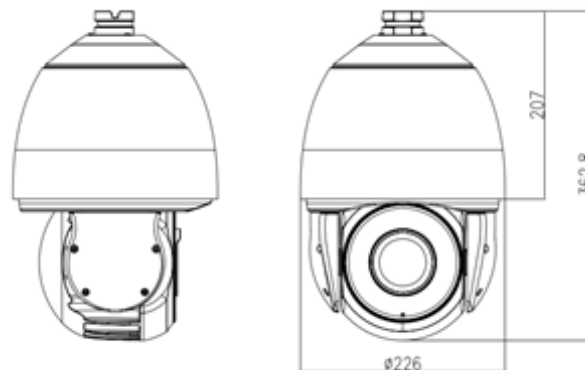
VIDEO Parameters		MODEL : ZN8-P3X30DL-H
Image Sensor		1/2.8" Progressive Scan CMOS
Max. Resolution		2048 (H) x 1536 (V)
Scanning System		Progressive
Min.Illumination		Color: 0.01@(F1.2,AGC ON) B/W : 0 Lux@(IR LED ON)
S/N Ratio		55dB
IR LED / IR Range		Smart IR Up to 200m
Video Compression Format		H.264, H.265, MJPEG
Stream / Frame Rate		Stream 1: 2048×1536/1920×1080/1280×720 @25/30fps Stream 2: D1/VGA/640×360/CIF/QVGA @25/30fps Stream 3: VGA/CIF/QCIF/ @25/30fps
Rate Control Method		CBR or VBR
Bit Rate		Stream 1: 200kbps~12Mbps Stream 2: 100kbps~6Mbps Stream 3: 100kbps~6Mbps
AUDIO Parameters		
Audio Input		Support
Audio Compression Format		G.711, Raw_PCM
Audio Communication		Bi-Directional
LENS Parameter		
Lens Type		4.5-135 mm Lens

Ganz 3MP IR High Speed Dome Camera

OTHER Functions	MODEL : ZN8-P3X30DL-H
Day & Night	Support
True WDR	WDR >120dB
Digital Noise Reduction	2D/3D
Motion Detection	Support
Preset / Auto Traking	400 Preset / Yes
Pan / Tilt	Pan: 0° ~ 360° endless, Tilt: -10° ~ +90°
Pan / Tilt Speed	Pan 240° /s, Tilt 180° /s
White Balance	Auto/ Tungsten/ Fluorescent/ Daylight/ Shadow/Manual White Balance
Electronic Shutter Speed	Auto/ Manual
FOV	59.8°~2.3°
Alarm I/O	7ch Alarm In, 2ch Alarm Out
Alarm Trigger	Perimeter, Single Virtual Fences, Double Virtual Fences Loiter, Multi Loiter, Object Left, Object Removed, Abnormal Speed, Converse, Illegal Parking, Signal Bad
Approvals	CE / FCC / EN / BIS / RoHS
NETWORK Parameters	
Ethernet	1 Ethernet (10/100 Base-T) RJ-45 Connector
Protocol	IPv4/IPv6, 802.1x, HTTP, HTTPS, TCP/IP, UDP/IP, RTSP, DHCP, NTP, RTCP/RTP, PPPoE, SMTP, DNS, UPnP, FTP, ARP, SNMP
Memory Slot	Micro SD card 128GB,NAS, Local PC for instant recording
BNC Output	Yes
Central Management Software	Support
ENVIRONMENTAL Parameters	
Operating Temperature	Starting Temperature: -40°C ~ 60°C (-40°F ~ 140°F), Working Temperature:-55°C ~ 60°C (-67°F ~ 140°F)
Ingress Protection	IP 66, TVS 6000V
ELECTRICAL Parameters	
Power	AC24V/Hi-POE (Adapter optional)
Power Consumption	MAX 40W
MECHANICAL Parameters	
Dimensions	Φ226×362.8mm
Weight	Approx. 5.9Kg

Subject to technical changes and errors. 032013

Dimensions



Unit: mm

CBC (Europe) GmbH
Hansaallee 191
D-40 49 D sseldorf
T: +49-(0)211 3 06 70
F: +49-(0)211 3 06 71 80
info@cbc-europe.com
www.cbc-europe.com

CBC (Poland) Sp.z.o.o
Oddział w Warszawie
Ul. Krasynskiego 41A
PL-01-7 Warsaw
T: +48-(0)22 6 33 90 90
F: +48-(0)22 6 33 90 60
info@cbcpoland.pl
www.cbcpoland.pl

CBC Russia Mosco Rep. of ce
Of ce 03B World Trade Center
12 Krasnopresnenskaya nab.
U-11123610 Moscow
T: +7-49 2 8 2161
F: +7-49 2 8 2160
info@cbc.ru
www.cbc.ru

CBC (Europe) Ltd. f cio di Milano
Via E. Ma orana, 2
I-20834 Nova Milanese (MB)
T: +39-0362 36 0 79
F: +39-0362 4 00 12
info@cbceurope.it
www.cbceurope.it

CBC CORPORATION (INDIA), PRIVATE LTD
2F B Wing, Marwah Centre
Krishanal Marwah Marg
Andheri East, Mumbai 400 072, India
T: +91 22 28 7 9798
F: +91 22 6649 1708
enquiry@cbcindia.com

CBC (Europe) GmbH
7/8 Garrick Industrial Centre
Irving Way
UK-NW9 6AQ London
T: +44-(0)20 87 32 33 10
F: +44-(0)20 82 02 33 87
info@cbcuk.com
www.cbceurope.com