

FEATURES



- 1/1.7" Sony Progressive Scan CMOS
- 4.1-12.8mm Motorised lens
- 12MP@20fps, 4KP@30fps
- Triple stream
- Smart IR Range 30-40m
- Low bitrate, Excellent low light performance
- DWDR, 3D DNR, ICR
- ROI, Defog, HLC, Corridor mode, DIS

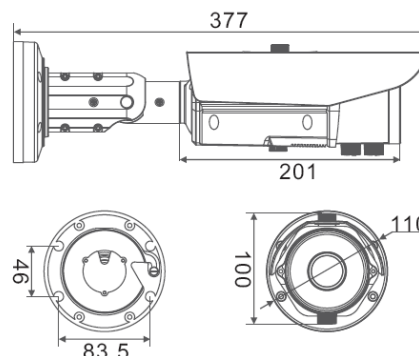
TECHNICAL SPECIFICATIONS

VIDEO Parameters	ZN8-BB12M412-N
Image Sensor	1/1.7" Progressive Scan CMOS
Max. Resolution	4000*3000 / 20fps
Scanning System	Progressive
Min.Illumination	Color: 0.009 Lux B/W: 0 Lux
S/N Ratio	More than 50dB (AGC OFF)
IR LED	08 Pcs (50-70m IR Range)
Video Compression Format	H.265, H.264, MJPEG
Stream	Stream 1: 4000*3000/20fps; 4096x2160/3840x2160/1920x1080/1280x720/30fps Stream 2: D1/VGA/CIF Stream 2: 4000*3000 /4096*2160 /3840*2160 /1920*1080 /1280*720 /D1/VGA/CIF
Rate Control Method	CBR or VBR
Rate Control Method	Stream 1: 500Kb - 16Mb Sub Stream: 100Kb - 6Mb
AUDIO Parameters	
Audio / Microphone	1ch. Audio In, 1Ch. Audio out
Audio Compression Format	G.711,RAW_PCM
LENS Parameter	
Lens Type	4.1 - 12.8mm Motorised Lens

4MP Motorised VF Camera

OTHER Functions	ZN8-BB12M412-N
Day & Night	ICR
Wide Dynamic Range	dWDR
Digital Noise Reduction	2D/3D DNR
FOV	106° ~ 33.6°
Defog	Support
ROI & HLC	Support
9:16 Corridor mode	Support
White Balance	Auto White Balance (AWB)
Electronic Shutter Speed	1/5-1/20000
BNC	Yes
Alarm I/O	1 In / 1 Out
Alarm Trigger	Perimeter, Single Virtual Fences, Double Virtual Fences, Loiter, Multi Loiter, Object Left, Object Removed, Abnormal Speed, Converse, Illegal Parking, Signal Bad, Motion Detection, Network disconnect, Disk alarm, I/O Alarm
Approvals	CE / FCC / EN / RoHS
NETWORK Parameters	
Ethernet	RJ-45 (10/100 Base-T)
Protocol	Ipv4, 802.1x, HTTP, HTTPS, TCP/IP, UDP/IP, RTSP, DHCP, NTP, RTCP/RTP, PPPoE, SMTP, DNS, UPnP, FTP, ICMP, IGMP, Unicast and Multicast
Memory Slot	Micro SD / SDHC / SDXC slot, max. 128GB
ONVIF	Support ONVIF
Central Management Software	Support
ENVIRONMENTAL Parameters	
Operating Temperature/Humidity	Starting Temperature : -30°C to +60°C / working Temperature -40°C~60°C
Ingress Protection	IP66, IK10
ELECTRICAL Parameters	
Power	DC12V / POE
Power Consumption	Max 11W
MECHANICAL Parameters	
Color / Material	Body: White/ Aluminum
Dimensions	Ø110 x 377 mm
Weight	1700g

Dimensions



Unit: mm

CBC (Europe) GmbH
Hansaallee 191
D-40 49 D sseldorf
T: +49-(0)211 3 06 70
F: +49-(0)211 3 06 71 80
info@cbc-europe.com
www.cbc-europe.com

CBC (Poland) Sp.z.o.o
Oddział w Warszawie
Ul. Krasynskiego 41A
PL-01-7 Warsaw
T: +48-(0)22 6 33 90 90
F: +48-(0)22 6 33 90 60
info@cbcpoland.pl
www.cbcpoland.pl

CBC Russia Mosco Rep. of ce
Of ce 03B World Trade Center
12 Krasnopresnenskaya nab.
U-11123610 Moscow
T: +7-49 2 8 2161
F: +7-49 2 8 2160
info@cbc.ru
www.cbc.ru

CBC (Europe) Ltd. f cio di Milano
Via E. Ma orana, 2
I-20834 Nova Milanese (MB)
T: +39-0362 36 0 79
F: +39-0362 4 00 12
info@cbceurope.it
www.cbceurope.it

CBC CORPORATION (INDIA), PRIVATE LTD
2F B Wing, Marwah Centre
Krishanlal Marwah Marg
Andheri East, Mumbai 400 072, India
T: +91 22 28 7 9798
F: +91 22 6649 1708
enquiry@cbcindia.com

CBC (Europe) GmbH
7/8 Garrick Industrial Centre
Irving Way
UK-NW9 6AQ London
T: +44-(0)20 87 32 33 10
F: +44-(0)20 82 02 33 87
info@cbcuk.com
www.cbceurope.com