

Out-Door IR PTZ IP Dome Camera

2.0 Mega-Pixel

LNI-P0830X20-IRY

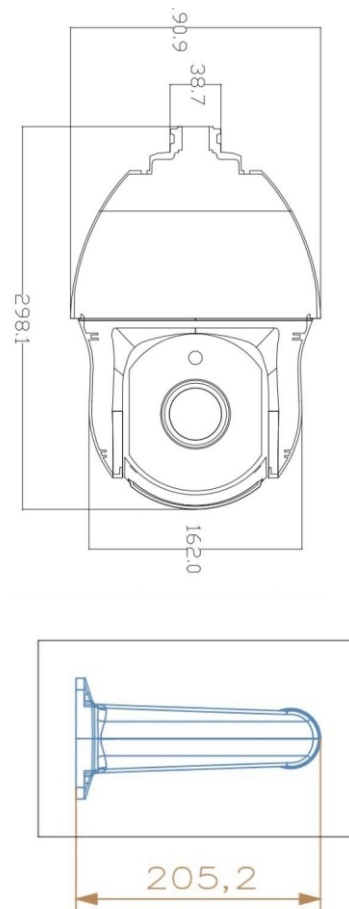


- 1/2.8" CMOS
- 1920 X 180 @ 20fps - 2.0 Megapixel
- 30X Optical Zoom
- H.265 / H.264
- Smart IR, Visual Distance up to 150m
- WDR, 3D DNR, Dual-ICR, AWB, AGC, BLC
- 3 User / Host Levels
- Support TCP/IP, HTTP, DHCP, DNS, RTP / RTCP, PPPoE
- 360 Degree endless Pan range
- 220 Preset Positions
- Graphical User Interface Menu
- Operating Temperature - -10~50 Degree, 0~95% RHG

TECHNICAL SPECIFICATIONS

Model Name	LNI-P0830X20-IRY
VIDEO PARAMETERS	
Imaging Device	1/2.8" CMOS Progressive Scan Sensor
Total Pixels	1920 X 1080
Video Standard	PAL / NTSC
Min. Illumination	Color : 0.002Lux@F1.5 B/W : 0.0002Lux@F1.5
Gain Control	Auto / Manual
S/N Ratio	Over 50 dB
White Balance	Auto
DWDR	Support
Dual Noise Reduction	Support
Shutter	1/25-1/10000s
Day / Night	Support IR Cut
Lens	
Focal length	4.3mm ~ 129mm
Optical Zoom	30X Zoom
Aperture Value	F1.6 ~ F2.8
Function	
IR Light Control	Auto / Near Light / Far Light / OFF
IR Light Distance	Up to 150 meter
Pan / Tilt Range	Horizontal : - 0°~360° Continuous rotation, Vertical : - 2°~90° Auto rotate
Pan / Tilt Speed	Key Control : Horizontal 0.1°~160°/s, Vertical 0.1°~120°/s Preset: Horizontal 240°/s, Vertical 200°/s
Preset	220
Auto Cruise	Support 8 auto cruise, 5 Auto patrol tracs, 5 Auto Scan
PTZ Control	Support free movement, Three - Dimensional positioning, human-oriented focal length / Speed automatic Matching, power off memory
Video Compress	H.265/ H.264
Image Resolution	1920 X 1080 @ 20fps
Protocol	TCP/IP, HTTP, NTP, IGMP, DHCP, UDP, SMTP, RTP, RTSP, ARP, DDNS, DNS, HTTPS, P2P
Net Interface	1-Ch RJ45 10M/100M
General	
Power Supply	DC 12V/5A
Power Consumption	Max 25W
Operating condn.	-10~50 Degree
Humidity	0~95%
Protection range	
Dimension	298.1mm X 190.9mm X 162.0mm
Weight	3.01Kg

DIMENSIONS



The above mentioned technical drawings are for reference only.