



## 10MP IR Dual Sensor Indoor / Outdoor IP Camera ZN1A-2D6DTMZ71

### Features:

- 2 x 5MP (10MP), 30fps at 5MP per sensor
- H.265, H.264 and MJPEG compression
- Superior low light performance
- Remote zoom and focus lens (auto-focus)
- One IP Address for two cameras
- SMART Bitrate Control and Region of Interest
- Suitable for indoor or outdoor use
- NDAA Compliant

## ZN1A-2D6DTMZ71

## 10MP IR Dual Sensor IP Camera with AI

## ■ Specifications

Model	ZN1A-2D6DTMZ71	
CAMERA	Image Sensor	2 x SONY STARVIS EXMOR 1/2.8" 5M CMOS
	Effective Pixels	2592(H) x 1944(V) per sensor
	Scanning System	Progressive scanning
	AGC Control	Auto
	IRIS Type	Auto Exposure
	Minimum Illumination	Color: 0.13 Lux / B/W : 0.005 Lux
	Lens	2.7 – 13.5 mm, F1.4, Surround View, Motorized Focus & Zoom lens
	Angle of View	Horizontal: Approx. 93° (Wide) to 51° (Tele) for each lens
	Shutter Time	Auto / Manual: 1/30 ~ 1/32,000, Anti-Flicker, Slow Shutter (1/2, 1/3, 1/5, 1/6, 1/7.5, 1/10)
	Day & Night	True Day & Night (Removable IR-cut filter)
	Wide Dynamic Range	True WDR, 120 dB or above
	S/N Ratio	50 dB
	IR LED	2 x High Power LED per camera
	IR ILLUMINATOR	IR Working Distance
VIDEO	Video Compression	H.265, H.264, MJPEG
	Profile	H.264 : MP / HP, H.265 : MP
	Multiple Streaming Performance	2592x1944/30 + 480p30 with H.264, H.265 + MJPEG (Support triple stream)
	Max Resolution	2592 x 1944
	Video Bit Rate	100Kbps ~ 10Mbps, Multi-rate for Preview and Recording
	Bitrate Control	Multi Streaming CBR/VBR (Controllable frame rate and Bandwidth)
	Digital Noise Reduction	3D-DNR
	Privacy Mask	16 programmable zones
	Special Features	SMART Bitrate Control, Region of Interest
	Other Image Processing	Configurable Exposure, White Balance, Sharpness
	Analog Output	1 (Installation only), CVBS 1.0V p-p (7Ω), 4:3 aspect ratio, Camera selectable
	AUDIO	Audio Compression
Audio input / output		1 / 1 (For the 1st Camera)
EVENT	Event Trigger	Motion Alarm, Temperature critical, DI
	Pre-Post Recording	Pre: 1~5 sec / Post: 1~240 sec
	Event Notification	FTP, E-mail, Alarm-out, SD card
NETWORK	Ethernet Standard	10/100/1000Base-T(1Gbps)
	IP	IPv4
	Protocol	TCP/IP, UDP, AutoIP, RTP(UDP/TCP), RTSP, NTP, HTTP, HTTPS, SSL, DNS, DDNS, DHCP, FTP, SMTP, ICMP, SNMPv1/v2/v3(MIB-2), ONVIF
	Security	HTTPS(SSL), IP filtering, 802.1x, Digest Authentication
	Plug In	ONVIF Profile S, CGI API
GENERAL	Material	Aluminum Die-casting, White
	External I/O Terminals	1 x Alarm In / 1 x Alarm Out (For the 1st Camera)
	Language on web page	English
	Power Source	12VDC, Ultra PoE (IEEE 802.3bt Class5)
	Power Consumption	12VDC Max 23W, PoE Max 25W
	Operating Conditions	Humidity 10 ~ 90% RH (non-condensing) [DC12V / PoE] -22°F ~ 122°F / -30°C ~ 50°C
	Certifications	FCC, CE, IP67, IK10
	Weight	4.6 lbs. / 2.1 kg
	Dimensions (D x H)	Ø8.3" x 3.6" / Ø210mm x 92mm
EDGE STORAGE	Storage	2 x microSD / microSDHC / microSDXC (card not included)

All specifications are subject to change without notice.

## ZN1A-2D6DTMZ71

## 10MP IR Dual Sensor IP Camera with AI

### ■ Video Analytics

#### Basic features:

##### Analytics Engine

- Advanced tracking algorithm with rich library of detection behaviors

##### Detection Zones and Rules

- 40 zones (Multi-segment Polygons and Lines) in total, 60 rules in total as standard Intrusion Detection
- Detection of the presence of an object

##### Tamper Detection

- Supported as standard

#### Optional features:

##### Detection Behavior

- Enter, Exit, Appear, Disappear, Stop, Direction, Dwell filter, Abandoned/Removed object filter, Tailgating

##### Logical Rules

- Extends standard rules to allow various combinations of the inputs 3D Behavior
- Perspective Corrected Size and Speed

#### Filters

##### Object Classification

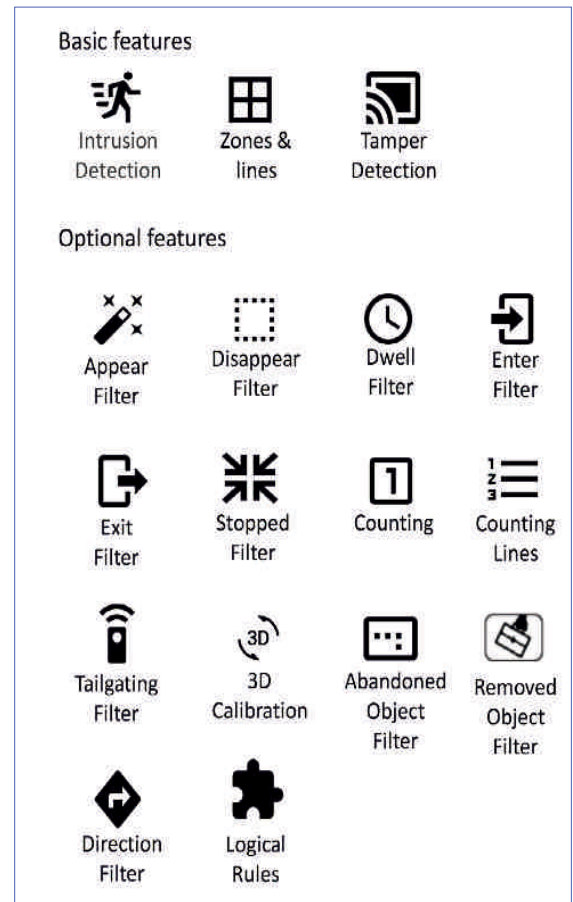
- Configured Max./Min. object sizes and Max./Min. speeds

##### Counting Line

- High accuracy people and vehicle counting; 20 counters in total

##### Meta Data

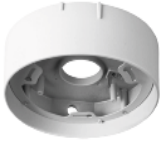
- JSON format, Plain XML format



# ZN1A-2D6DTMZ71

# 10MP IR Dual Sensor IP Camera with AI

## ■ Accessories



Surface Mount  
SMB-8000



Wall Mount  
WMB-8000



Ceiling Mount  
CMB-8000



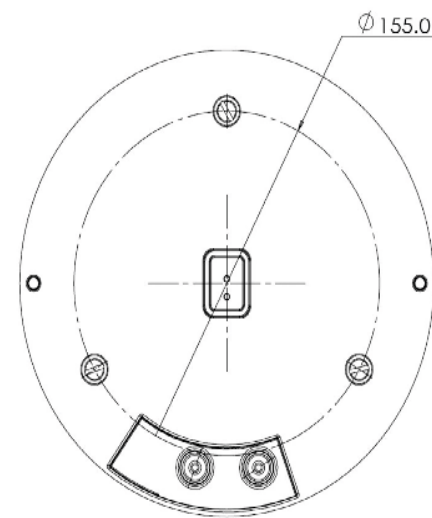
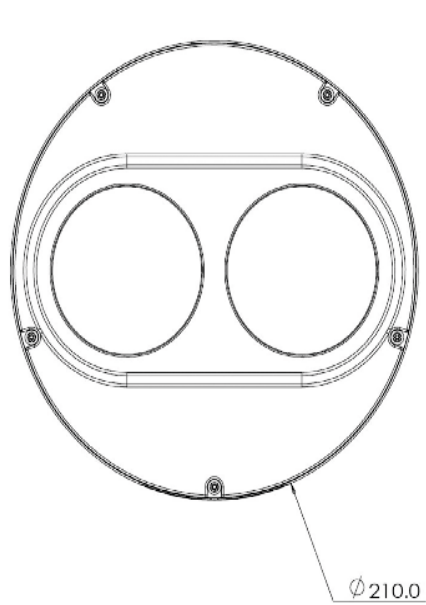
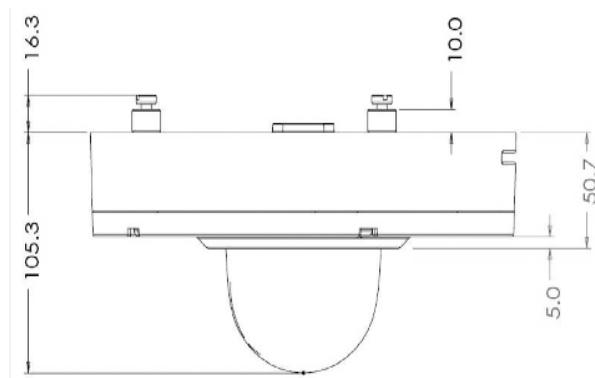
Pole Mount Adapter  
PMA-8000



Corner Mount Adapter  
CMA-8000

□□Note: To install ZN1A-2D6DTMZ71, one of the above brackets is required.

## ■ Dimensions



All specifications are subject to change without notice.